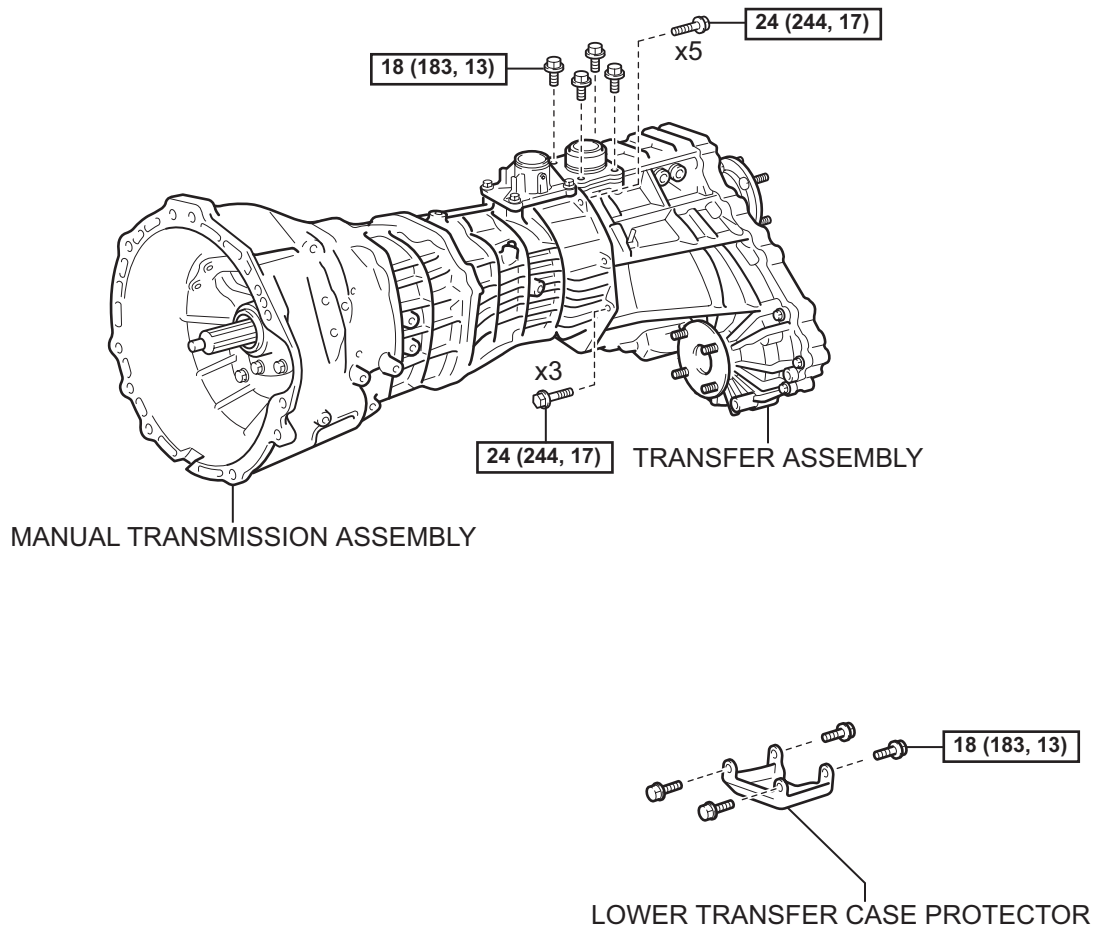
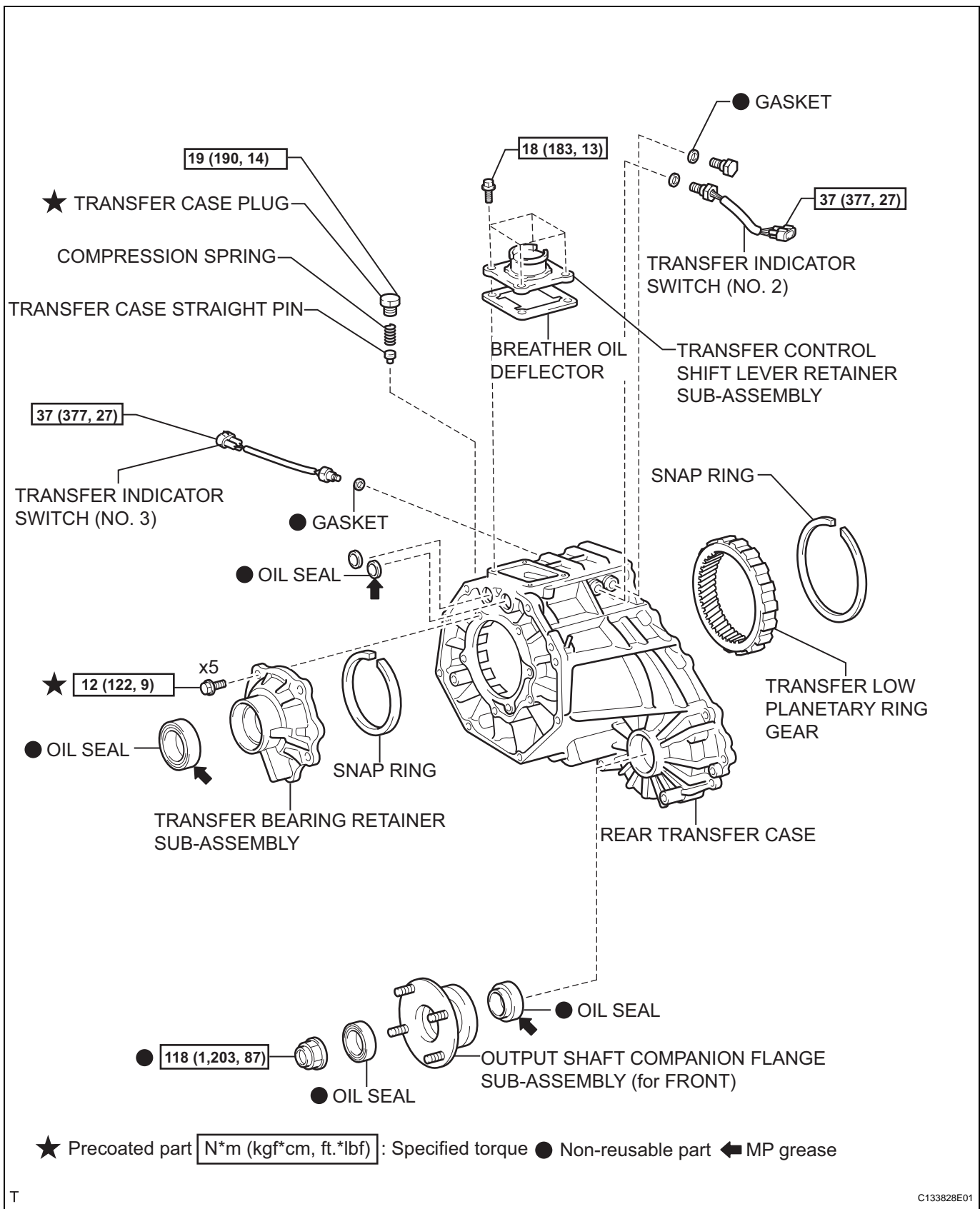


TRANSFER ASSEMBLY

COMPONENTS

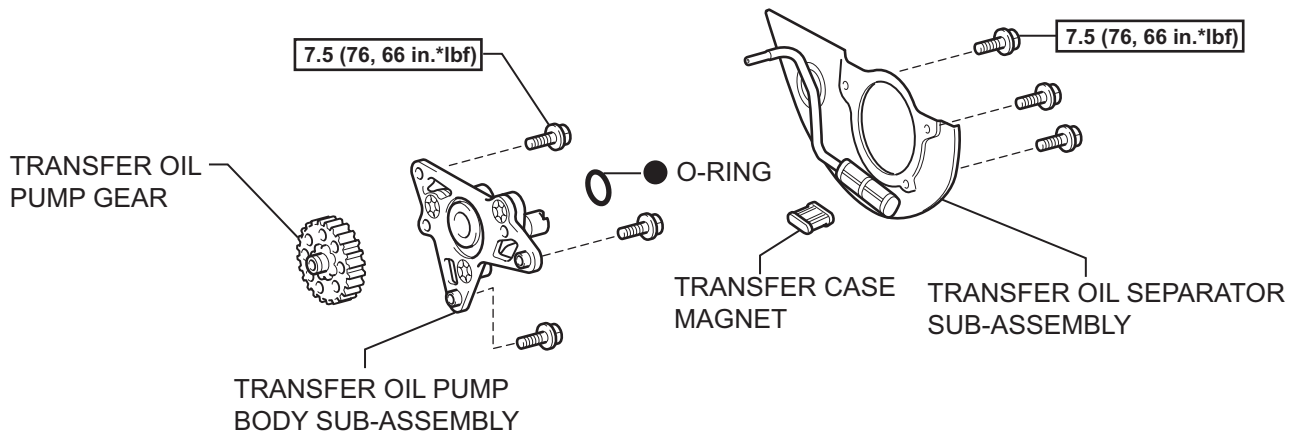
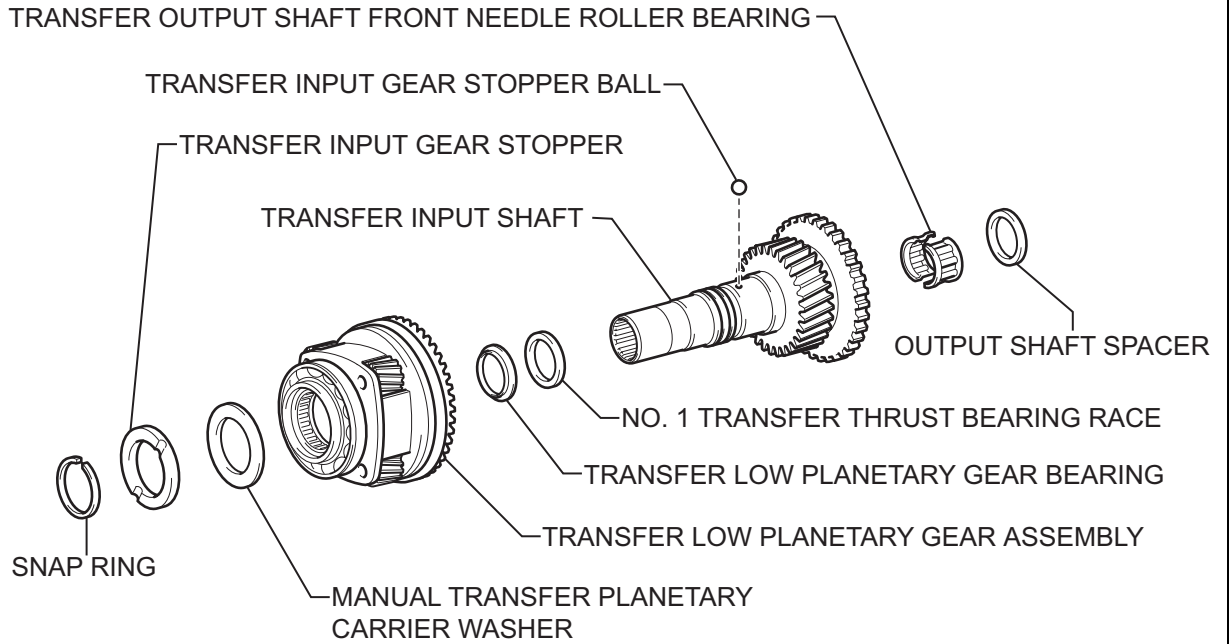


$\boxed{\text{N*m (kgf*cm, ft*lbf)}}$: Specified torque



TF

T

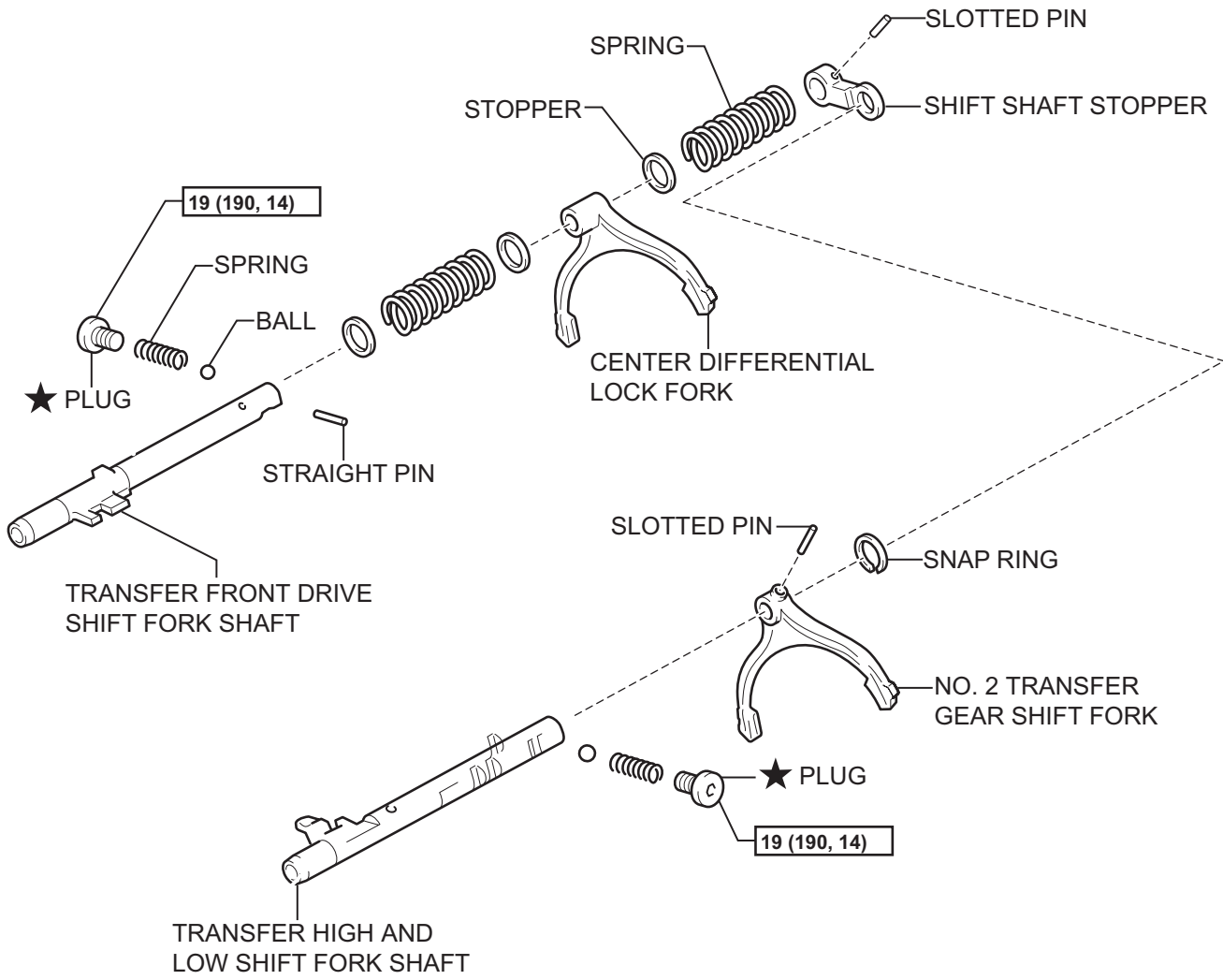


N*m (kgf*cm, ft.*lbf) : Specified torque

● Non-reusable part

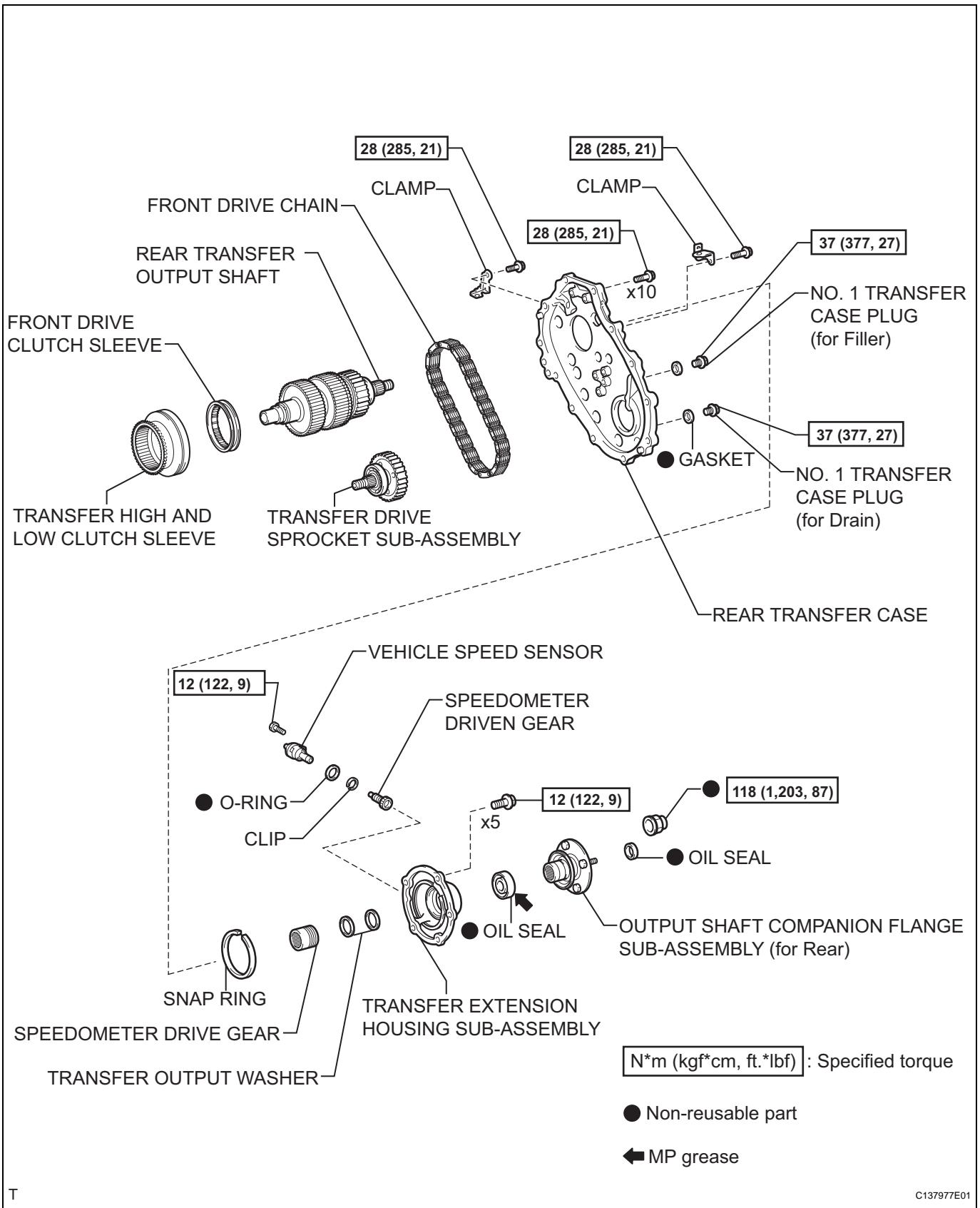
T

TF

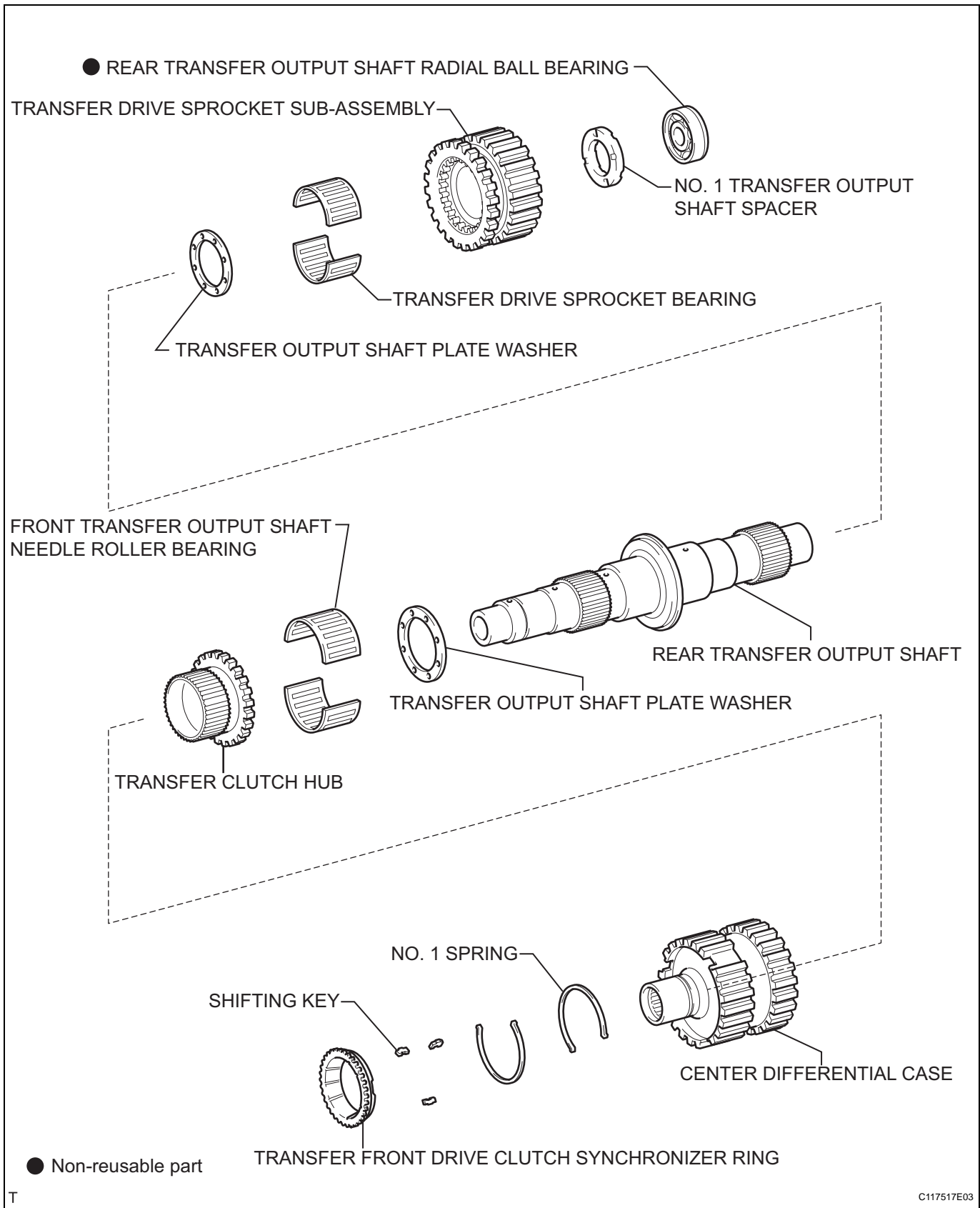


N*m (kgf*cm, ft*lbf) : Specified torque ★ Precoated part

TF

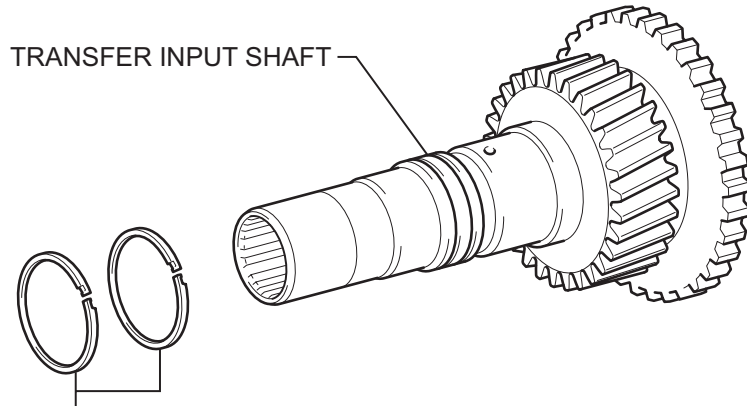


TF



TF

T

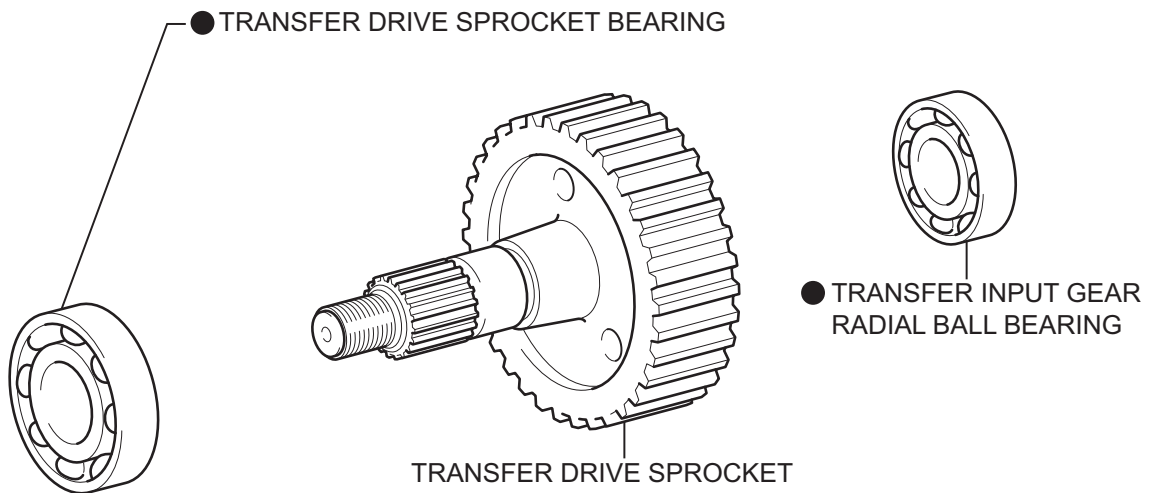


● NO. 1 TRANSFER INPUT SHAFT SEAL RING

● Non-reusable part

T

C117518E02



● TRANSFER DRIVE SPROCKET BEARING

● TRANSFER INPUT GEAR RADIAL BALL BEARING

TRANSFER DRIVE SPROCKET

● Non-reusable part

T

C117519E02

TF

